

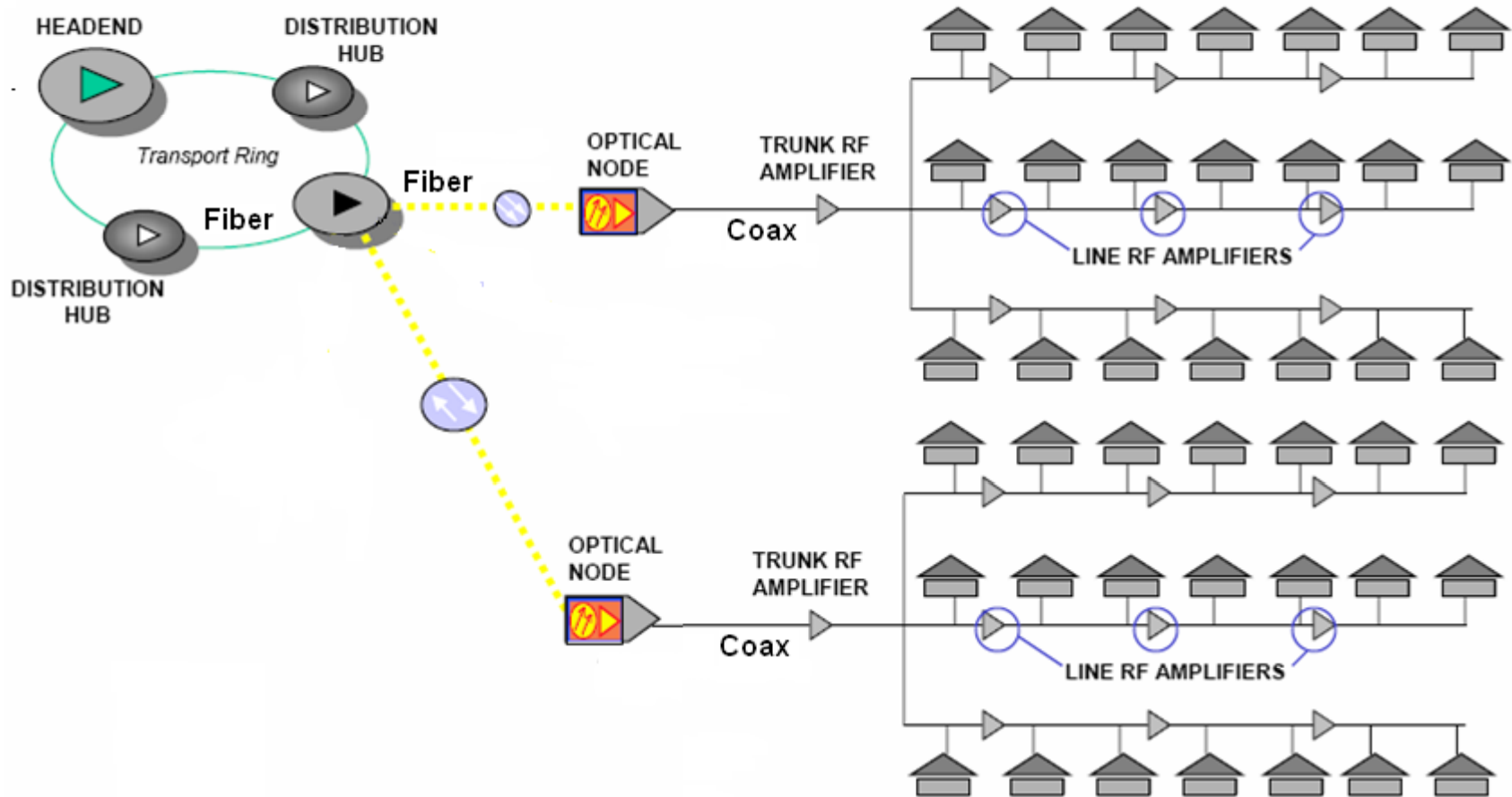
Think Before You Dig

EastLink OSP

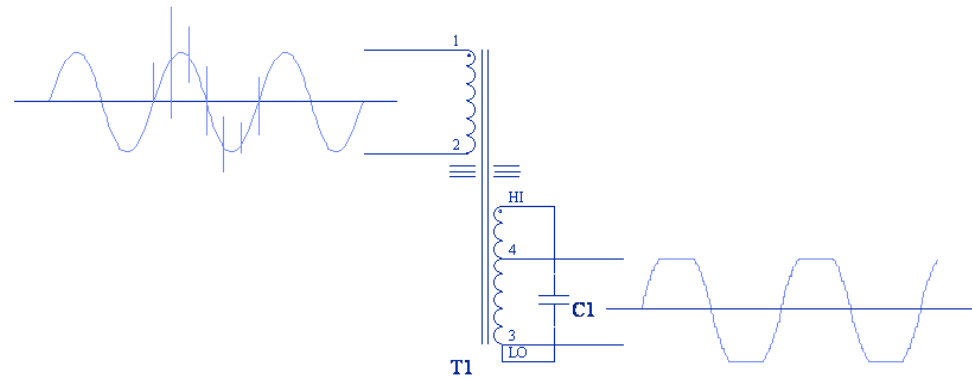
Services

- Cablevision – analog, digital, advanced services
- Data – consumer HSI, commercial data
- Telephone – local, 911 and long distance

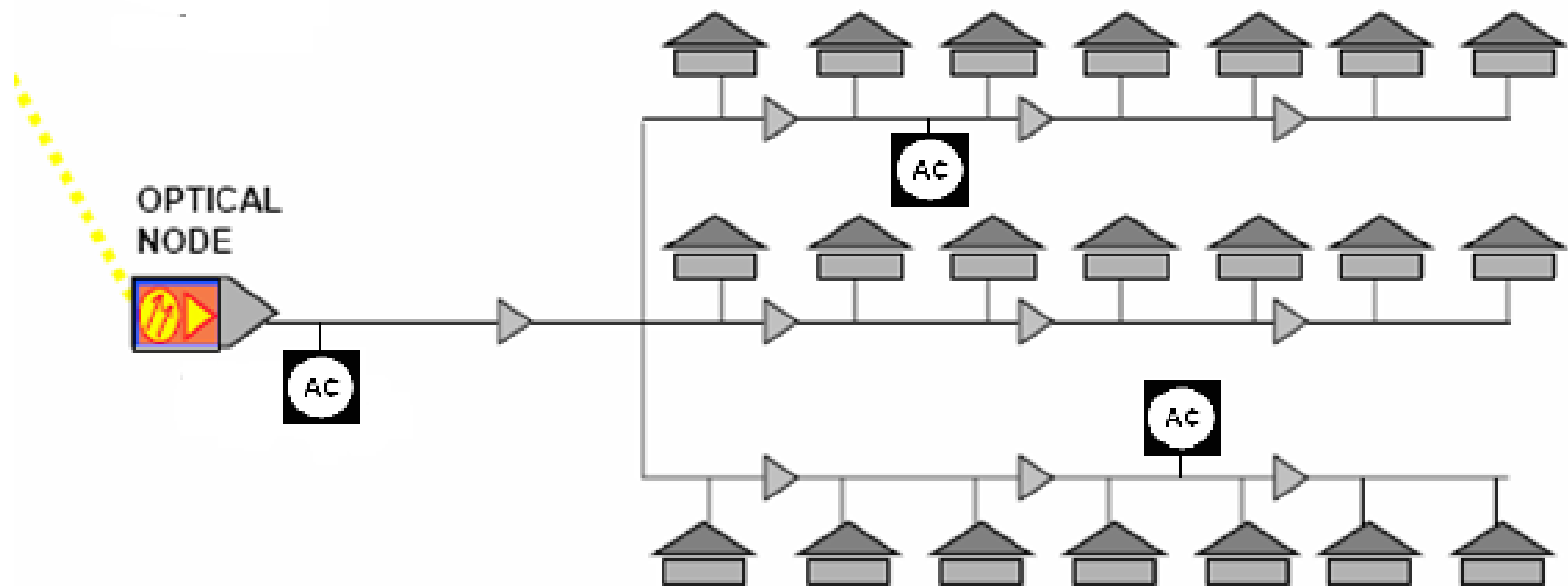
HFC Network



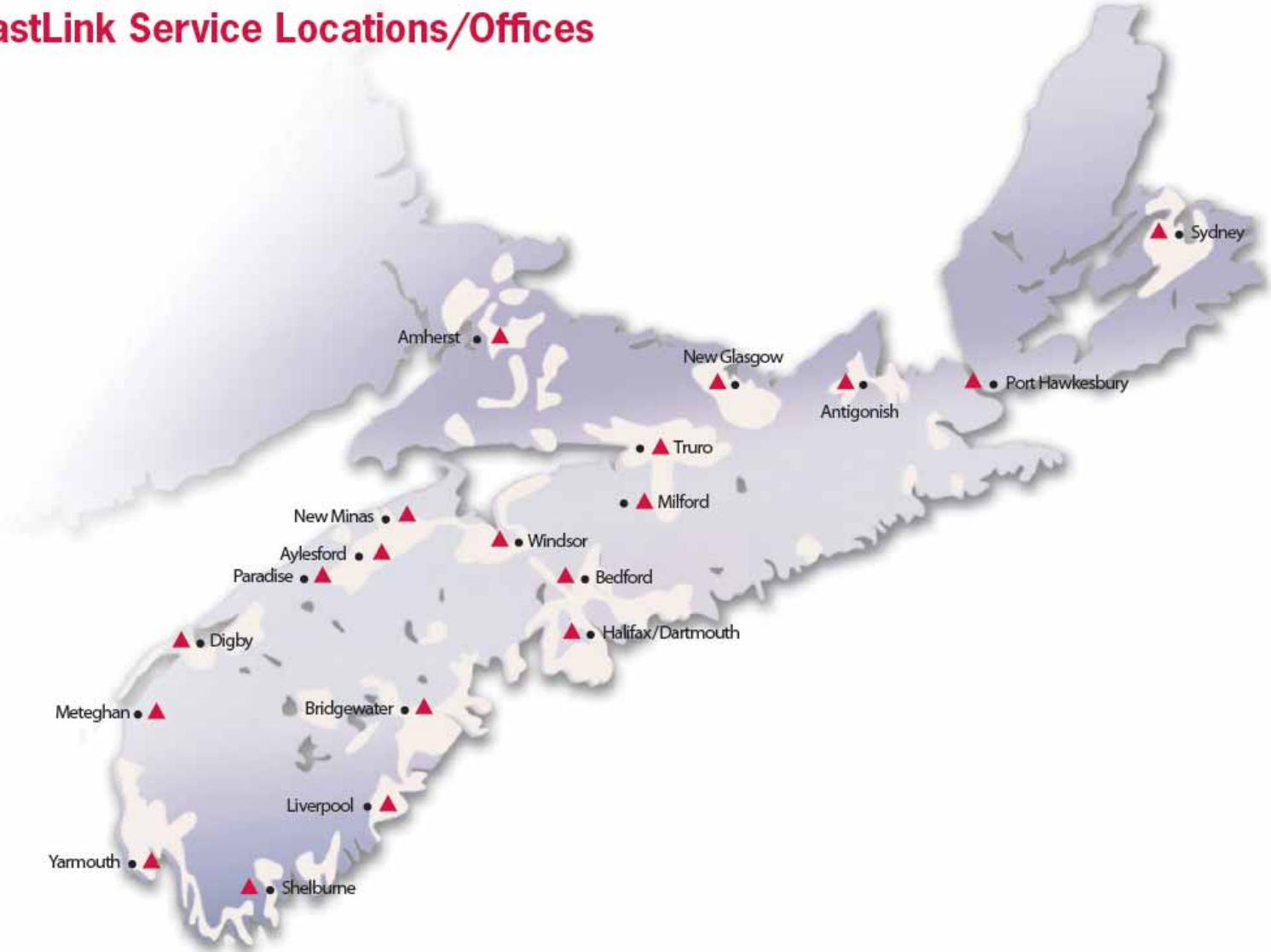
System Powering

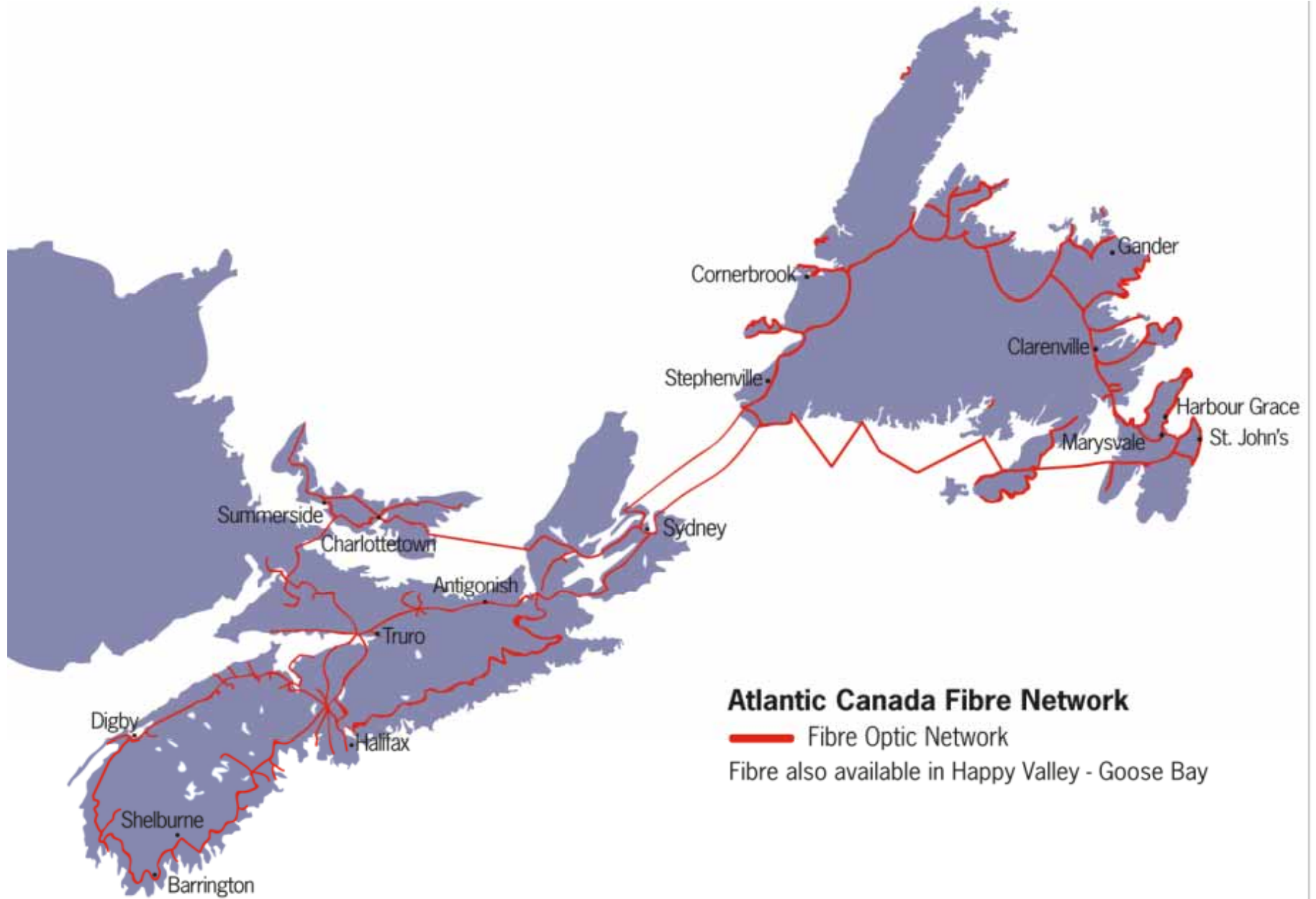


System Powering

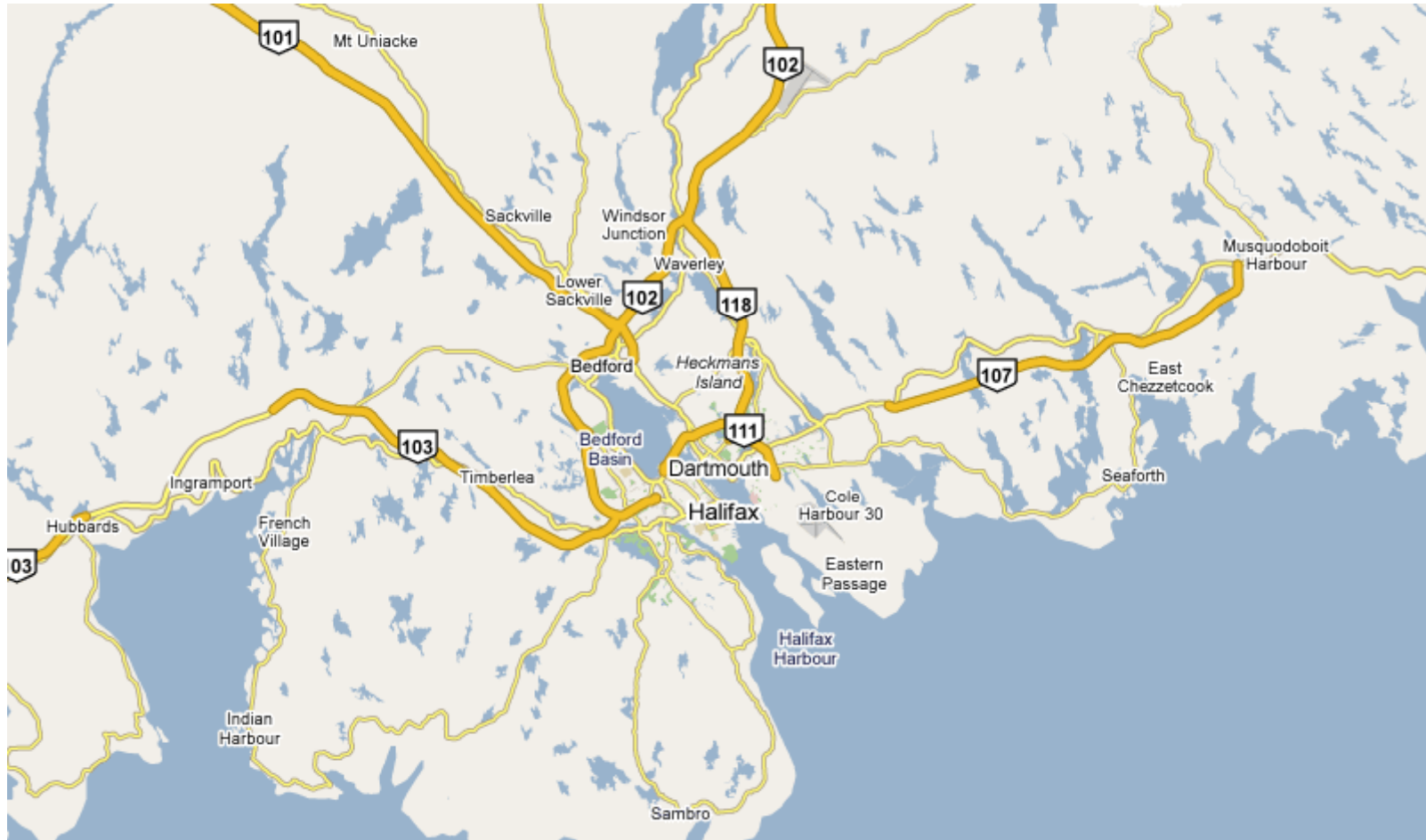


EastLink Service Locations/Offices

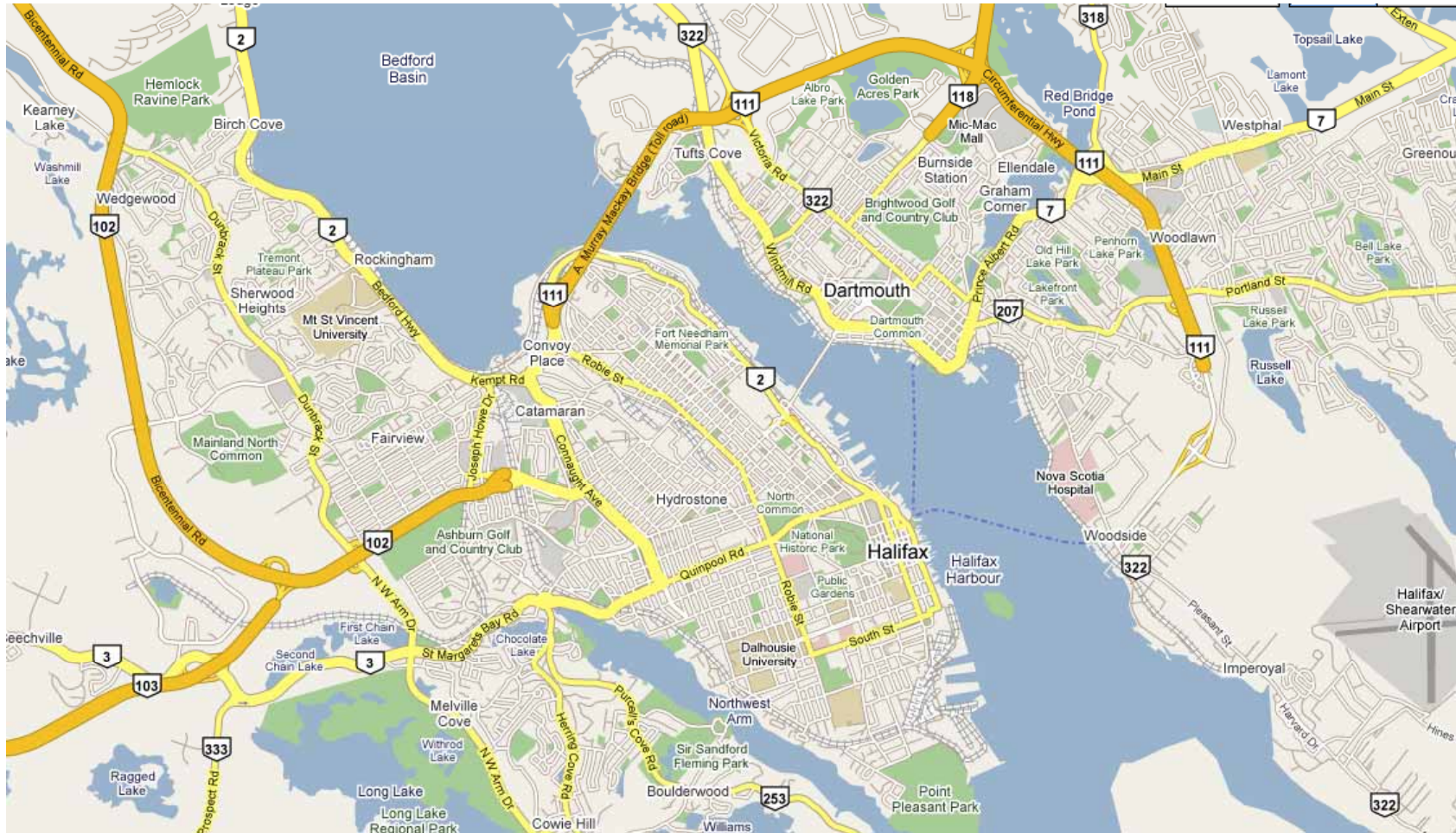




HRM Coverage



HRM Coverage



% of Buried Plant

- Approximately 5% of EastLink's infrastructure is buried in NS.
- HRM – approximately 10% is buried.
- Primarily in leased conduit.
- Direct buried to some apartments, businesses and residences.

Impact of Damaged Plant

- Loss of cable, phone and internet service.
- Loss of data services to municipal, provincial and federal departments.
- Loss of data and phone service to business operators.
- Loss of service to other commercial services.

Questions?